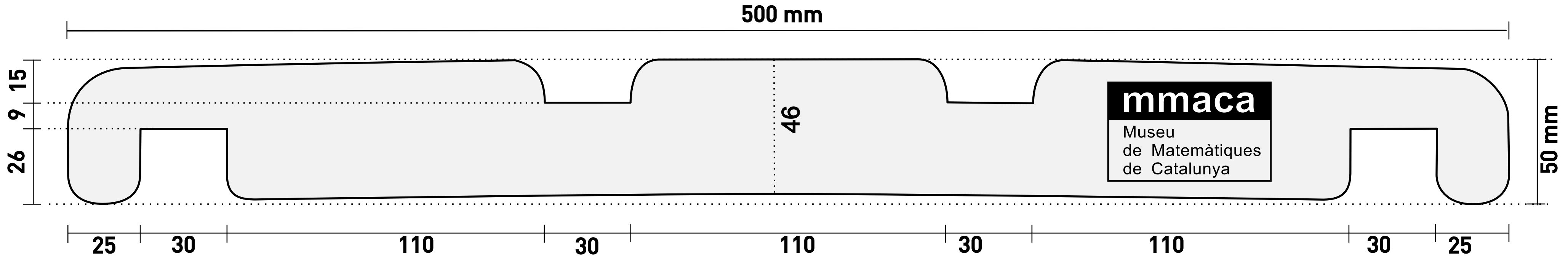


Sizes of the stick to make Leonardo domes

The material is Plywood with thickness 9 or 10 mm.



Alternative design

